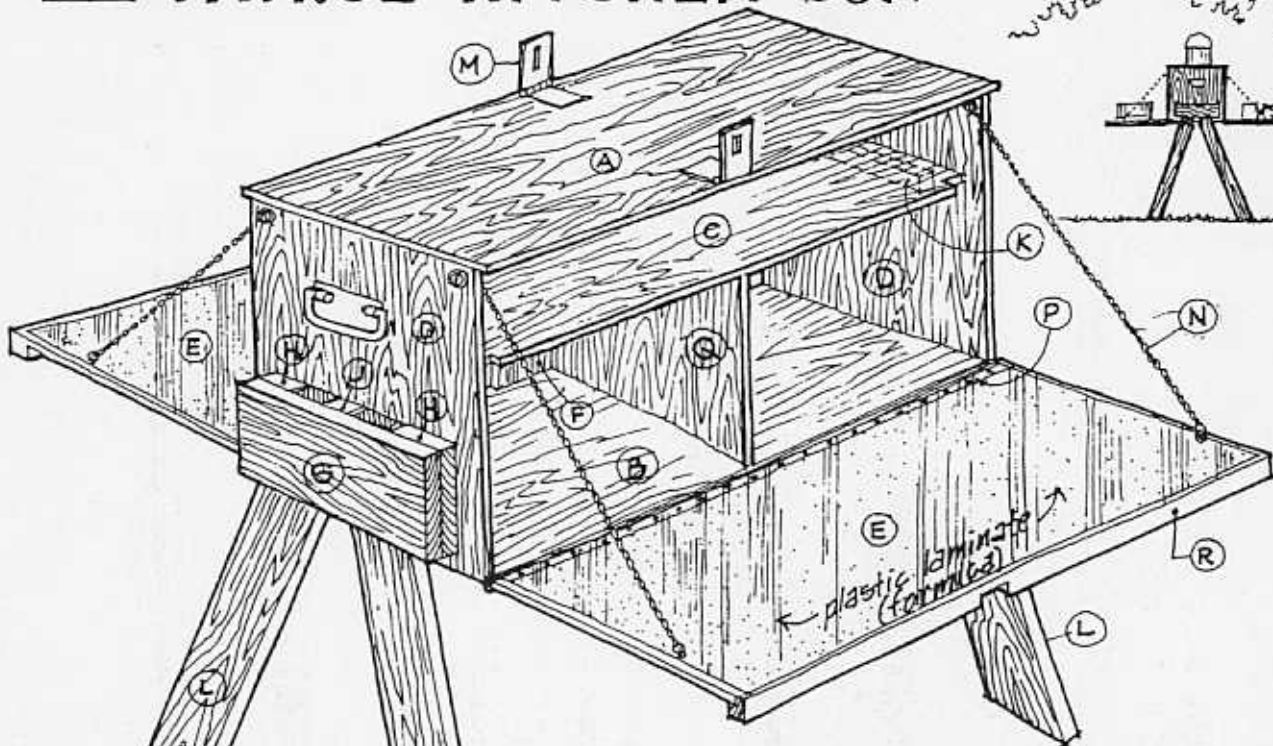


## №2 PATROL KITCHEN BOX

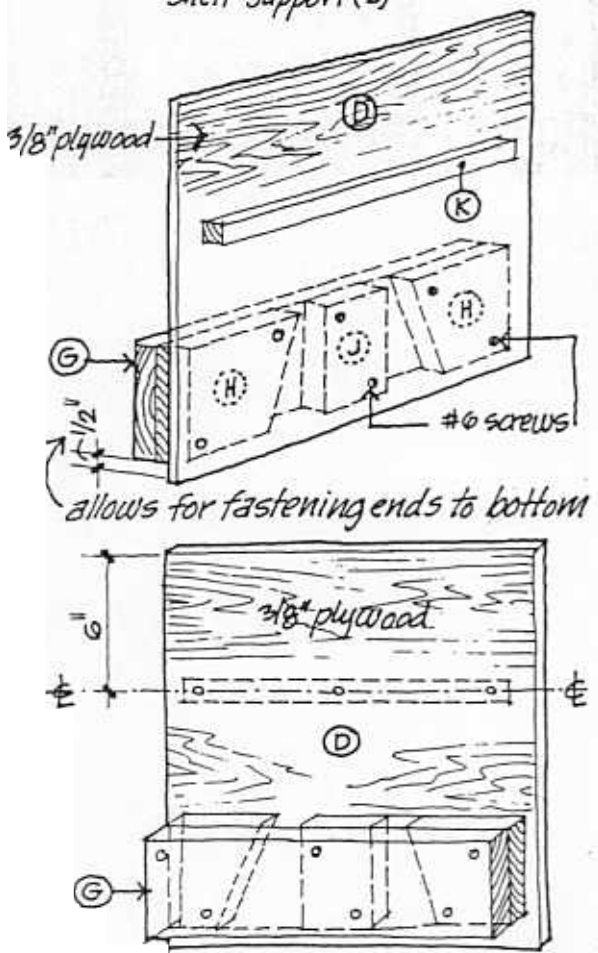
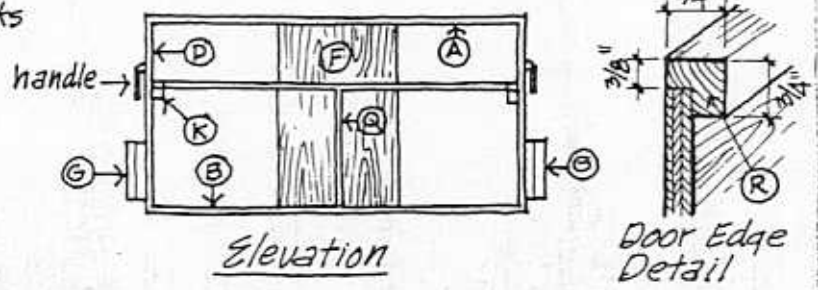
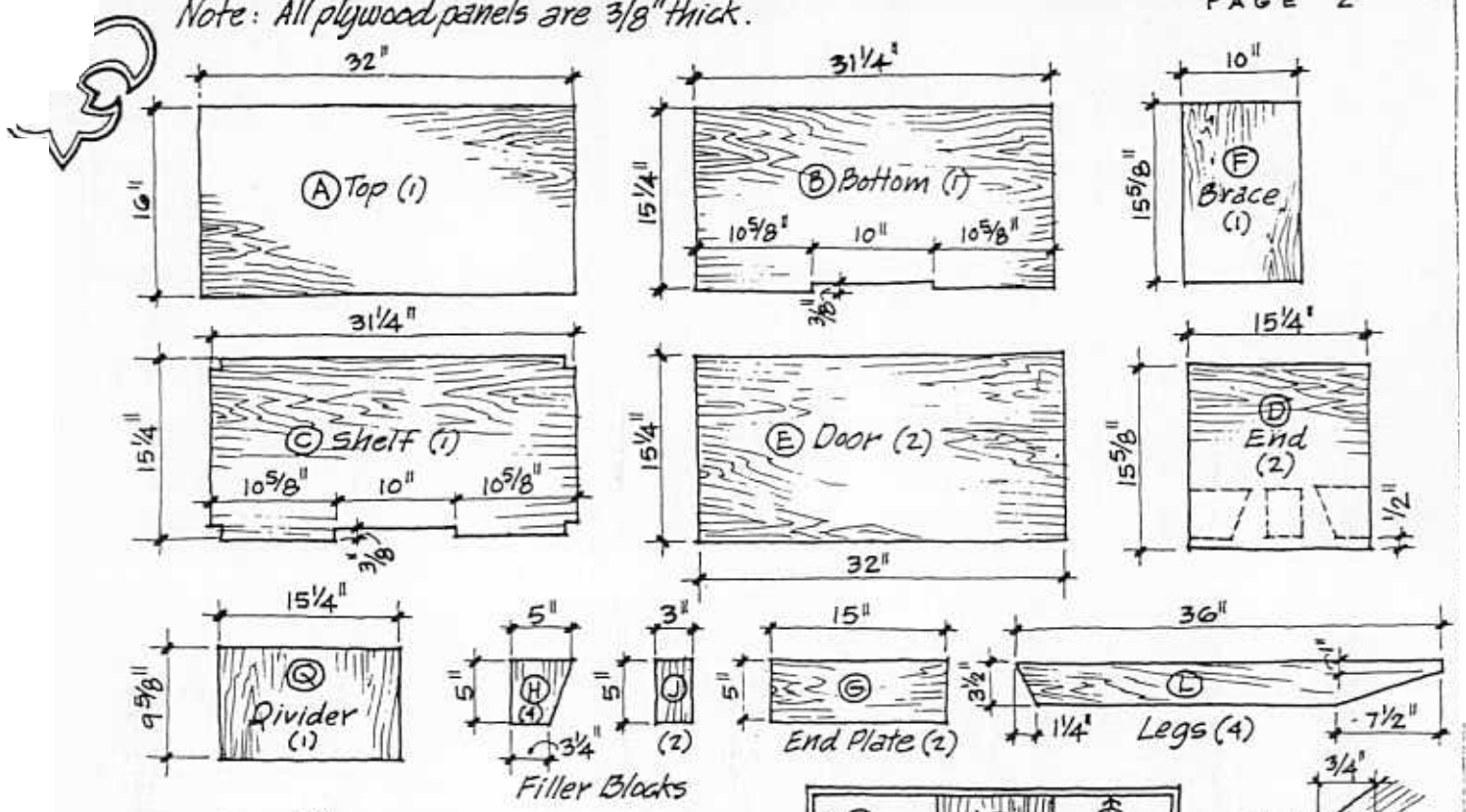


One of the handiest pieces of equipment a patrol can make is the "camp kitchen box." Such a box provides great storage for cooking utensils, food, spices, etc. and it also provides 3 surfaces (top + 2 doors) for food preparation, food serving, clean-up, etc. It is a great project to construct with the assistance of some patrol dads.

### MATERIALS LIST

- |   |  |
|---|--|
| A - 1 Top: 16" x 32" x 3/8" A/c Plywood             | P - 2 Continuous Hinge: 1 1/16" x 30" w/ screws                                    |
| B - 1 Bottom: 15 1/4" x 31 1/4" x 3/8" A/c Plywood  | Q - 1 Divider Panel: 9 5/8" x 15 1/4" x 3/8" Plywood                               |
| C - 1 Shelf: 15 1/4" x 31 1/4" x 3/8" A/c Plywood   | R - 2 Door Stiffeners: 3/4" x 3/4" x 32" y. pine                                   |
| D - 2 Ends: 15 1/4" x 15 5/8" x 3/8" A/c Plywood    | 50 - cs wood screws #6 - 1/4" long   |
| E - 2 Doors: 15 1/4" x 32" x 3/8" A/c Plywood       | 20 - cs wood screws #4 - 1" long   |
| F - 1 Center Brace: 10" x 15 5/8" x 3/8" Plywood    | 40 - 4d finish nails or brads  |
| G - 2 End Plates: 5" x 15" x 3/4" pine              | 2 - handles, metal or rope.  |
| H - 4 Filler Blocks: 5" x 5" x 3/4" yellow pine     | N - 4 sash chains - 24" long - cut to length                                       |
| J - 2 Filler Blocks: 3" x 5" x 3/4" yellow pine     | — 2 pieces - 32" x 15" plastic laminate (Formica)                                  |
| K - 2 Shelf supports: 3/4" x 3/4" x 14" yellow pine | Carpenter's glue   |
| L - 4 Legs: 3 1/2" x 36" yellow pine                | Paint or varnish. (Remember lighter colors reflect heat better than dark finishes) |
| M - 2 Hasps   |  |

Note: All plywood panels are 3/8" thick.



ASSEMBLY

- Fasten pieces G, H, J, & K to end panels D with glue, nails, & screws as shown.
  - After ends are assembled, fasten Bottom B to end sections, then divider panel Q, next the shelf C and finally the top panel A. Attach with glue, nails and screws (1/4" screws in top and bottom and 1" screws in shelf).
  - square up box and attach the brace panel F to bottom panel B, shelf C, and top A.
  - Attach with glue and nails the door edge stiffener R to the door panels E.
  - Apply laminate plastic to inside door surface with non-flammable contact cement. \*
  - Fasten hinges to inside face of door then attach to box.
  - Attach hasps, handles, and sash chains
  - Paint or varnish as desired.
  - Enjoy!
- \* Plastic laminate is an option but well worth the effort (easy to clean, durable, etc.)